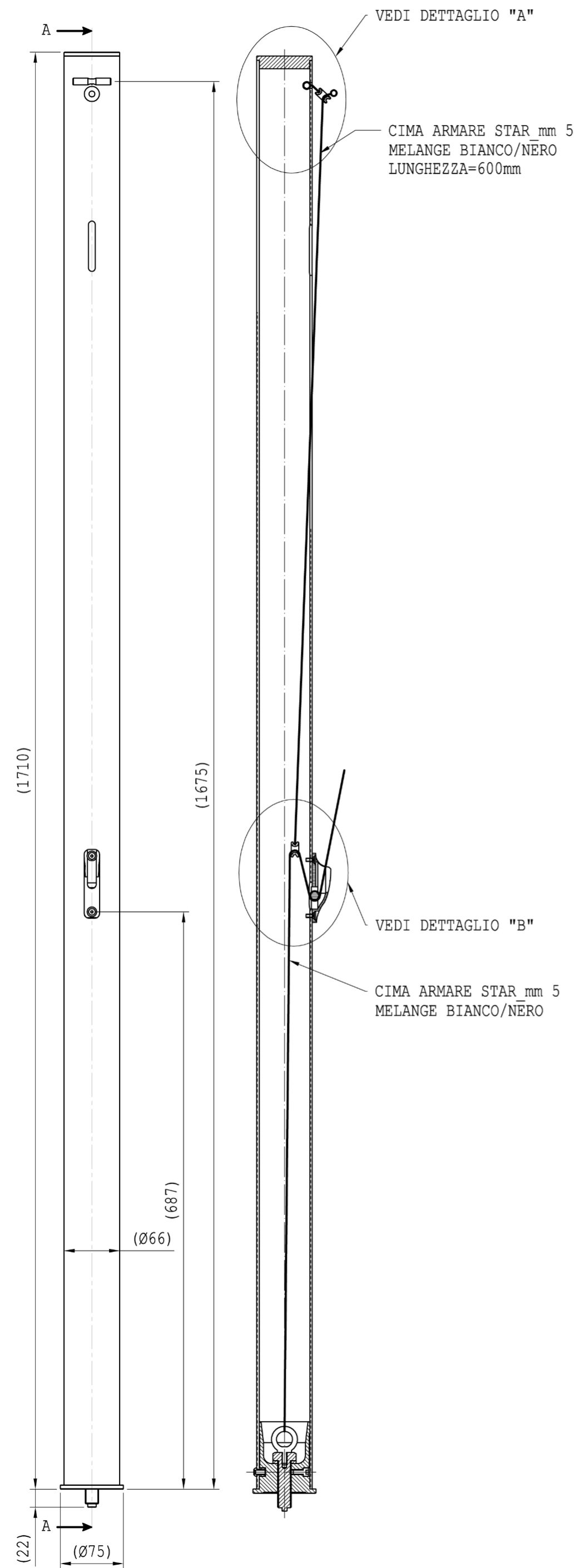
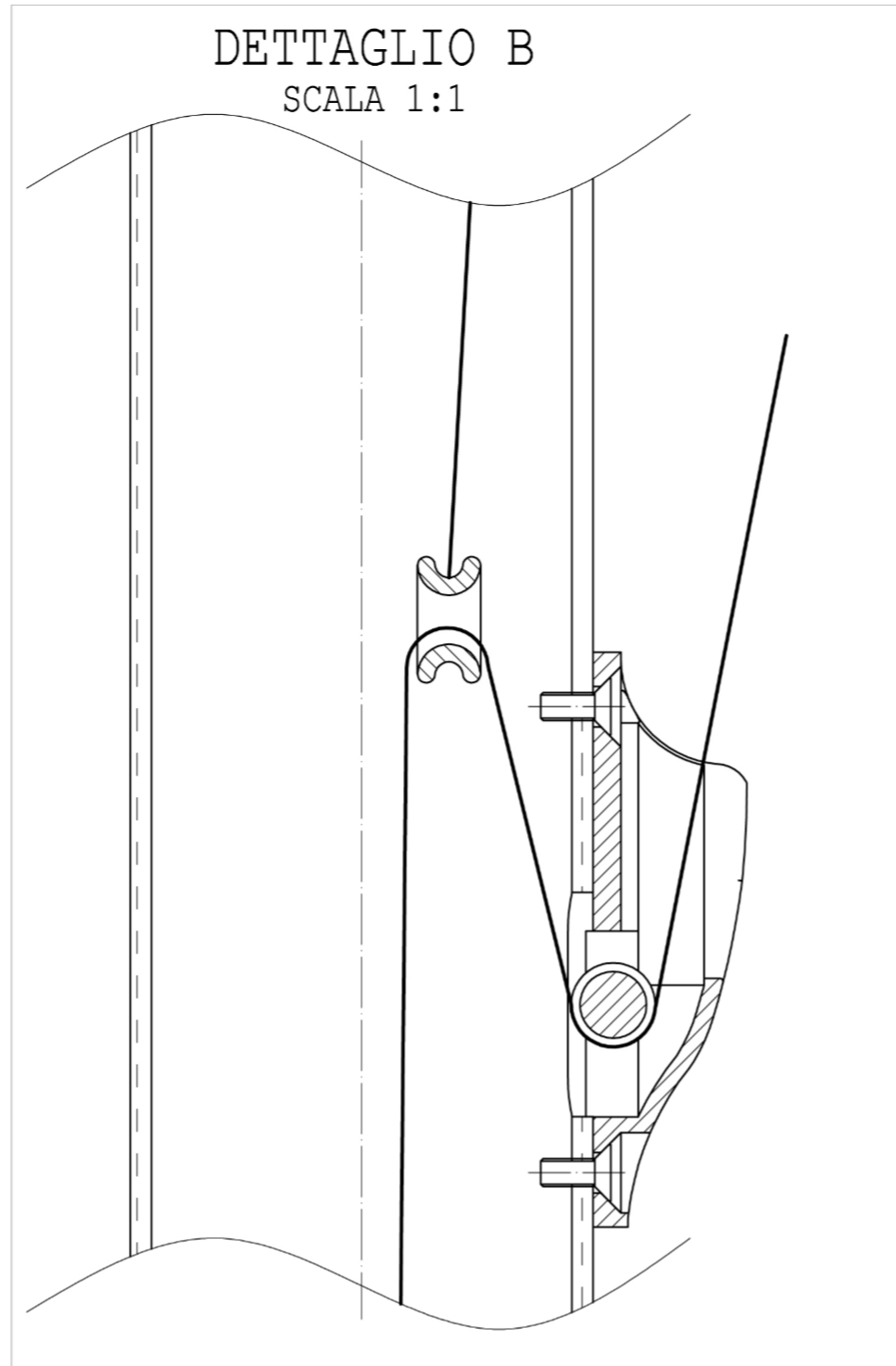


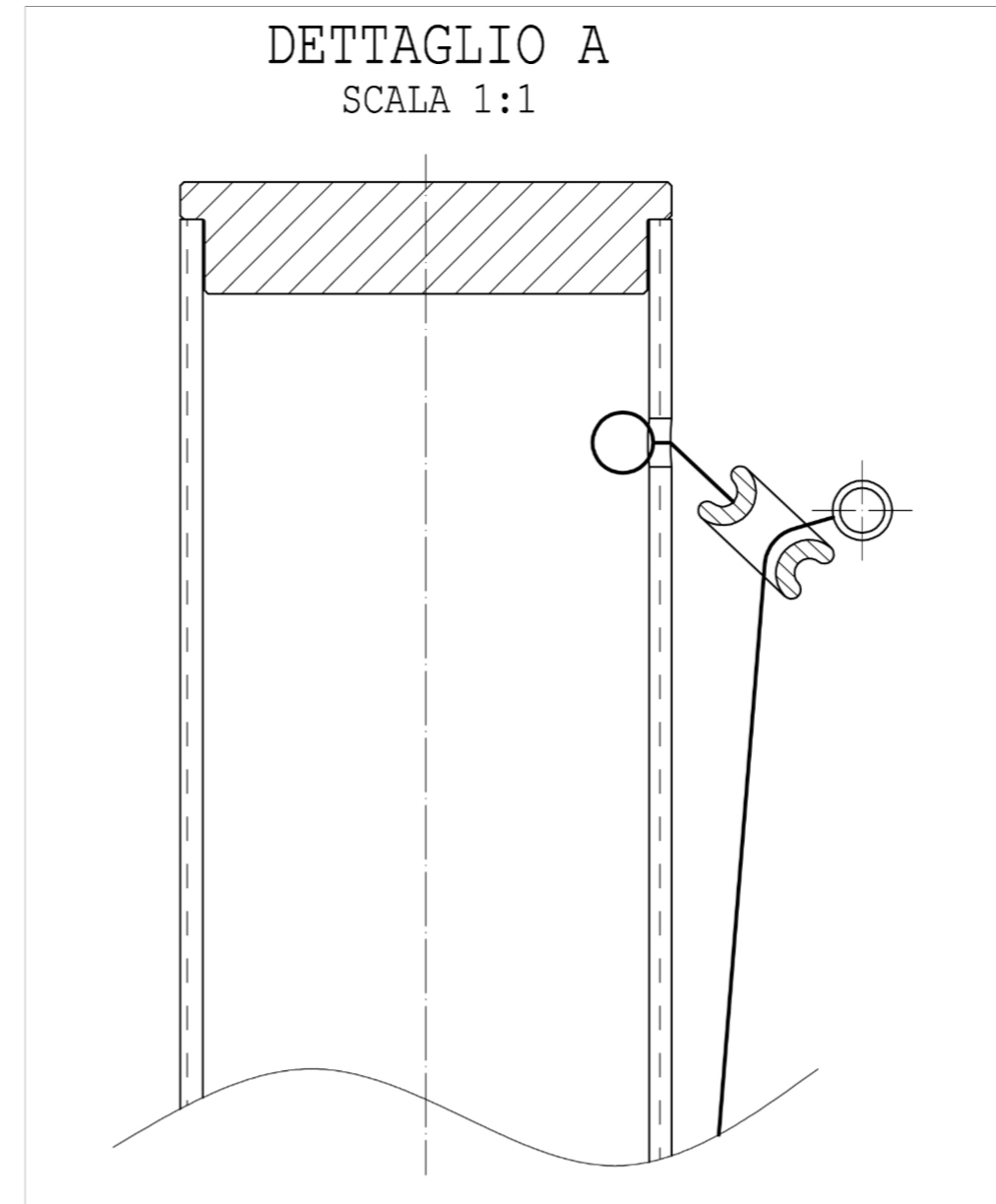
SEZIONE A-A



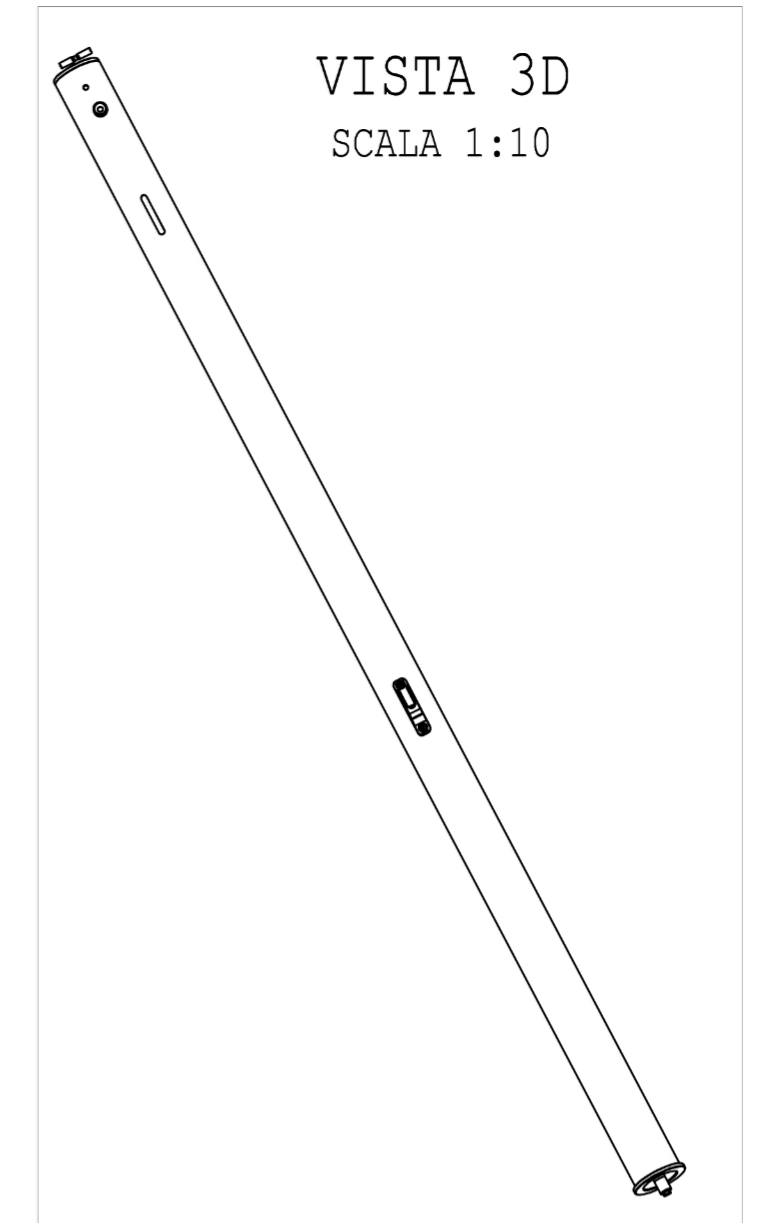
DETTAGLIO B
SCALA 1:1




DETTAGLIO A
SCALA 1:1



VISTA 3D
SCALA 1:10



| | | | | | | |
|---|-----------|----------------------------|-------------------------------|-----------------------|----------------|-----------------------------|
| MATERIAL <i>TABLE</i> | | SCALE 1:5 | SURFACE TREATMENT / FINISHING | | QTY | WEIGHT [kg] <i>TABLE</i> |
| ROUGHNESS | 1.6/ ▽ | FORMAT A2 | | | | |
| CUSTOMER I-CARBON | | PART NUMBER IP6617.01 | | REV A | SHEET 1 / 1 | |
|  Via Albertini 36 60131 Ancona (AN) Tel +39 071 21129064 E-mail info@i-carbon.it Web www.i-carbon.it | | DATE 25/11/20 | | | | |
| | | GEN. TOL. ISO 2768 T1 f | | PROJECTION ISO 128 | | |