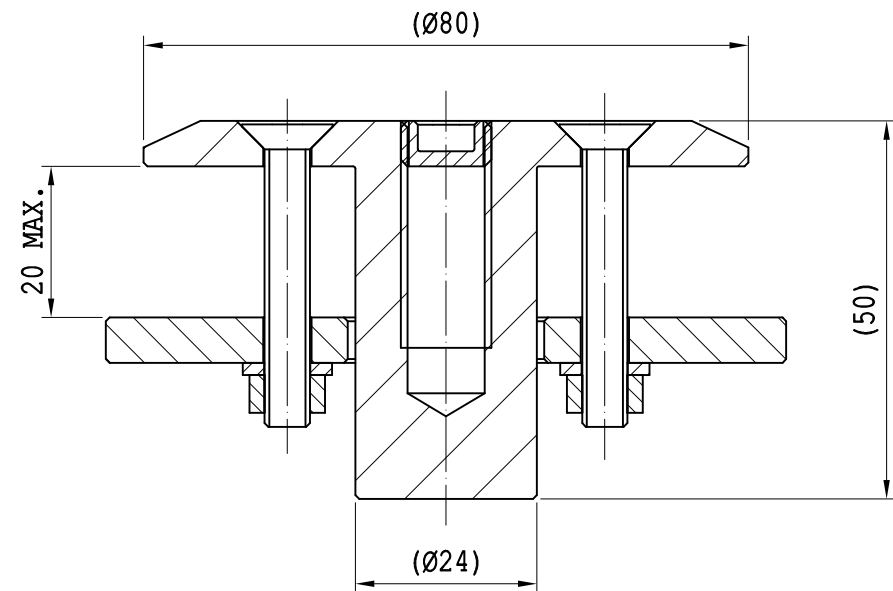
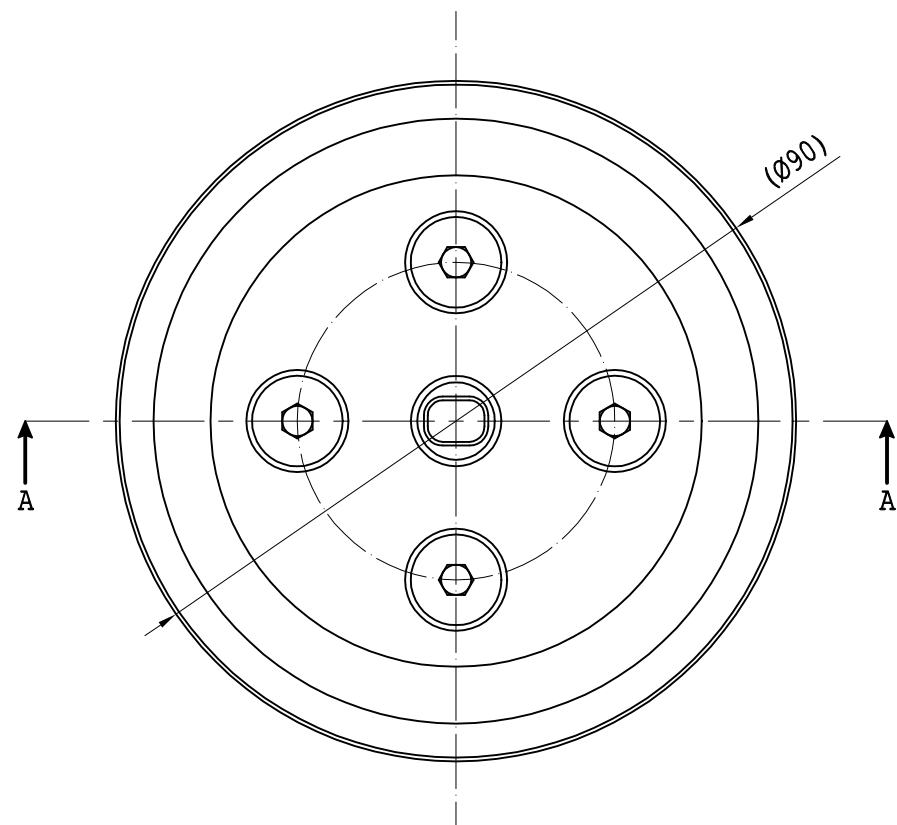
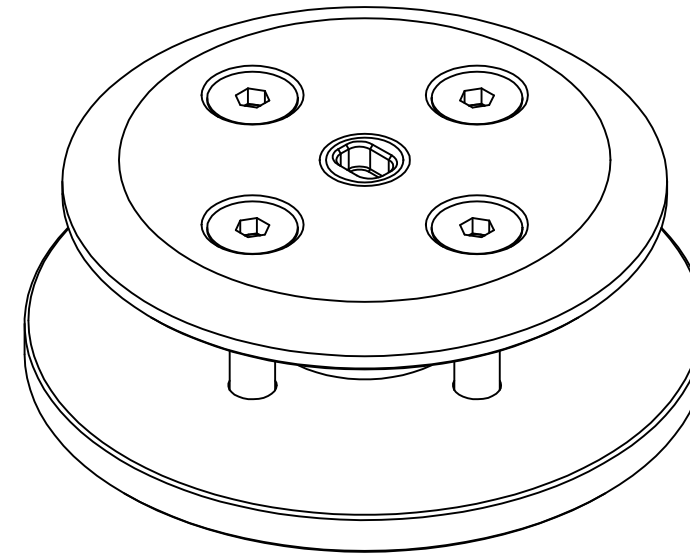

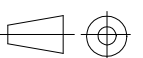


SEZIONE A-A



VISTA 3D



A	DC	FD	FD		REVISIONE GENERALE	
0	DC	FD	FD	24/11/20	FIRST ISSUE	
REV	DRAWN	CHECKED	ANALYSIS		CHANGE	
REVISIONS						
					QTY	WEIGHT [kg] <i>TABLE</i>
MATERIAL <i>TABLE</i>			SCALE 1:1	SURFACE TREATMENT / FINISHING		
ROUGHNESS		1.6	FORMAT A3			
CUSTOMER I-CARBON			PART NUMBER IP4500	REV A	SHEET 1 / 1	
 Via Albertini 36 60131 Ancona (AN) Tel +39 071 21129064 E-mail info@i-carbon.it Web www.i-carbon.it			DATE 10/12/20			
			GEN. TOL. ISO 2768 T1 f		PROJECTION ISO 128 	
THIS DRAWING AND THE CONTAINED INFORMATION IN IT ARE PROPERTY OF AMS AND/OR THE CUSTOMER, WITH PROHIBITION TO REPRODUCE OR TO DISCLOSE THEM WITHOUT A WRITTEN CONSENT						