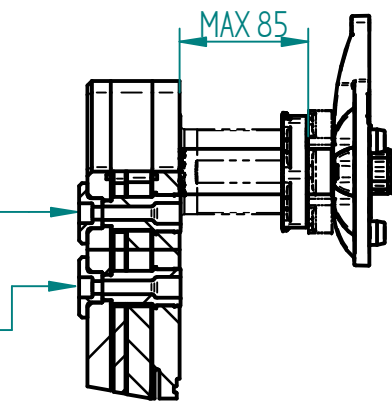


USE M8 x 75 SOCKET HEAD CAP SCREWS FOR MOUNTING TO TRANSOM OR TRANSOM PLATE. DESIGN SCREW FORCE INCLUDING PRETENSION IS 19kN PER SCREW IN LOWER RAW. SCREW TORQUE TO APPLY IS 10 Nm.



A-A

DATA

INTERCEPTOR SPAN
INTERCEPTOR STROKE
ENTRAINED WATER
WEIGHT

1400 mm
50 mm
~12 Liter
~18 kg

| 2 | 1 | INTERCEPTOR H1400-M-00 DIMENSIONS | - | | 030028 | |
|---|-----|-----------------------------------|-------------------|---|--------------|-----------------|
| 1 | 1 | INTERCEPTOR H1400-P-00 DIMENSIONS | - | | 030029 | |
| ITEM | QTY | DESCRIPTION | MATERIAL | SIZE | REFERENCE | REV |
| This document contains information of a proprietary nature and is delivered on the express condition that it is not to be disclosed, used or reproduced in whole or in part without the written consent of HUMPHREE AB. | | | | | | |
| PROJECT | | | | FILE NAME 031345-P01_H1400-PM-00_DIMENSIONS.dft | | |
| TITLE INTERCEPTOR H1400-PM-00 DIMENSIONS | | | | | CLIENT | |
| HUMPHREE® | | DRAWN JÖ | CHKD GH | APPVD CW | SCALE 15 | DATE 2021-01-14 |
| www.humphree.com | | SIZE A3 | DRAWING NO 031345 | | SHEET 1 OF 1 | REV P01 |