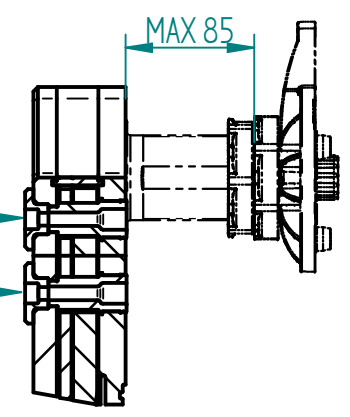


1 2

USE M8 x 75 SOCKET HEAD CAP SCREWS FOR MOUNTING TO TRANSOM OR TRANSOM PLATE. DESIGN SCREW FORCE INCLUDING PRETENSION IS 19kN PER SCREW IN LOWER RAW. SCREW TORQUE TO APPLY IS 10 Nm.



A-A

DATA

INTERCEPTOR SPAN
INTERCEPTOR STROKE
ENTRAINED WATER
WEIGHT

1350 mm
50 mm
Liter
kg

2	1	INTERCEPTOR H1300-M-00 DIMENSIONS	-		030024	
1	1	INTERCEPTOR H1300-P-00 DIMENSIONS	-		030025	
ITEM	QTY	DESCRIPTION	MATERIAL	SIZE	REFERENCE	REV
This document contains information of a proprietary nature and is delivered on the express condition that it is not to be disclosed, used or reproduced in whole or in part without the written consent of HUMPHREE AB.						
PROJECT				FILE NAME 031343-P01_H1300-PM-00_DIMENSIONS.dft		
TITLE INTERCEPTOR H1300-PM-00 DIMENSIONS					CLIENT	
HUMPHREE®		DRAWN JÜ	CHKD CW	APPVD CW	SCALE 15	DATE 2021-01-14
www.humphree.com		SIZE A3	DRAWING NO 031343		SHEET 1 OF 1	REV P01